

USER MANUAL  
**Matrix Remover & Slitter**

MCH100MTX17



*Please keep the original packaging in case you need to return the unit.  
If we receive the system in non-original packaging, the warranty may be void.*

### **Note on Media Environment:**

*50% humidity and 72 degrees Fahrenheit is the optimal conditions for both storage and use of label stock. Store label stock in protective plastic wrappings. Rewrap partially used stock. Do not store stock directly on concrete floors.*

*Label stock should be conditioned in this environment for 72 hours prior to use. Failure to store media in these conditions may result in media tension problems. Too much humidity will cause labels to curl on the edges.*



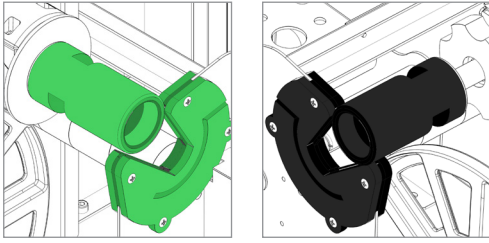
## **Warnings**

- The main plug of power supply cord set of AC/DC power supply is considered as disconnecting device of equipment.
- Do not operate the Matrix Remover while wearing loose fitting clothing or neck ties. Serious injury may result. If clothing or fingers are caught in the rollers, immediately disconnect the D.C. connector.
- Keep your hands away from the Matrix Remover at all times while the unit is running.
- When replacing Slitter blades work from the back blade housing to the front. This will minimize the chance of injury since you will not be working over already installed blades.
- When transporting the unit or any time the unit is not in use always lower the slitter station into the down/cut position. This will prevent accidental contact with the slitter blades. The two rollers below the slitter station act as a guard when the slitter station is in the down position.
- To prevent fire or shock hazard, do not expose the unit to rain or moisture. Operate the unit with only proper electrical specifications as labeled on the unit and the AC adapter.

**WARNING**  
**HAZARDOUS MOVING PARTS**  
**KEEP FINGERS AND OTHER BODY PARTS AWAY**

## HOW TO INSTALL THE CORE HOLDERS

---

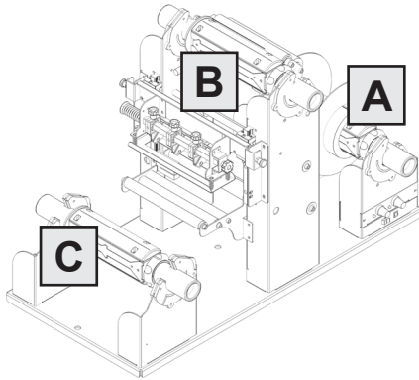


The green handle must match with the green holder and the black handle with the black holder.

**IMPORTANT:** screws must be face down.

## HOW TO LOAD THE CORE HOLDERS

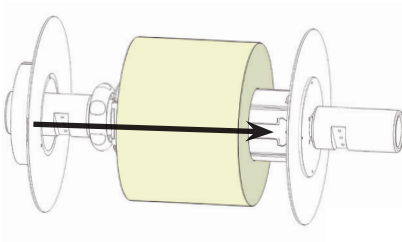
---



*A > Unwinder core holder*

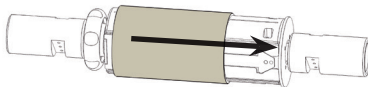
*B > Waste core holder*

*C > Rewinder core holder*



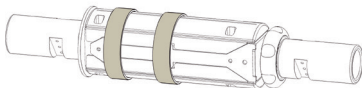
### ***A - Unwinder core holder***

Load the printed roll and move it against the disk. Insert the outer disk and tighten the core holder.



### ***B - Waste core holder***

Load an empty cardboard core onto the shaft intended for laminate liner rewinding.  
Tighten the core holder.



### ***C - Rewinder core holder***

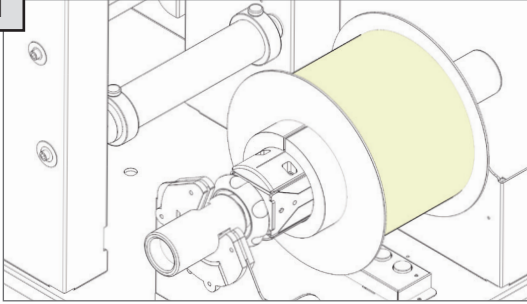
Load empty cardboard core(s).



**WARNING:** Before starting a new job, always make sure the waste matrix from the previous job has been removed.

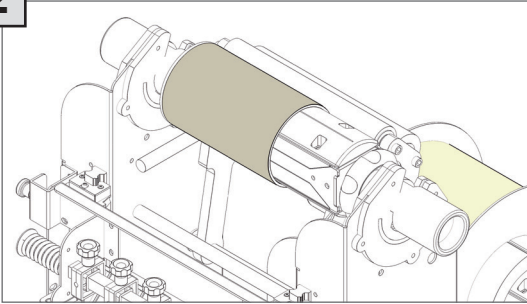
Do not attach the matrix from a different size label to an existing roll. This will cause an uneven wrap which will cause the material to walk.

1



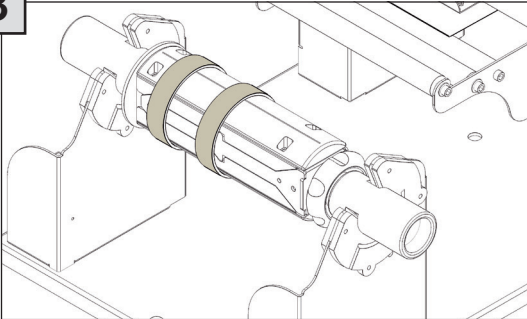
Insert the unwinder core holder onto its respective support.

2



Insert the waste core holder onto its respective location.

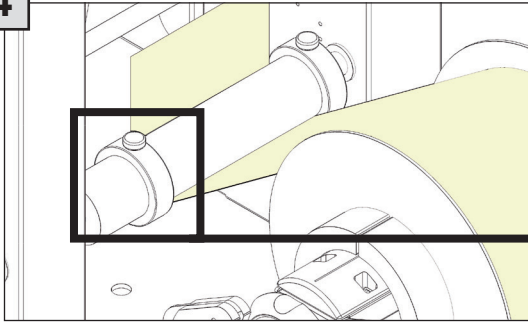
3



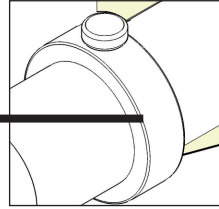
Insert the rewinder core holder onto its respective support.



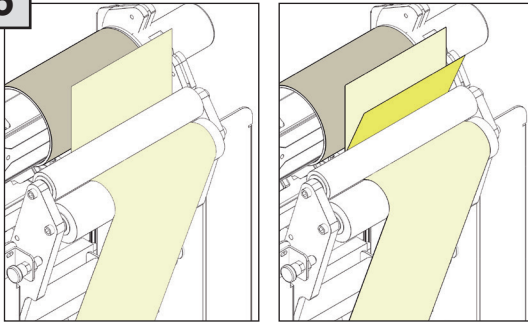
4



Pull the media under the first guide then adjust the roll guide.



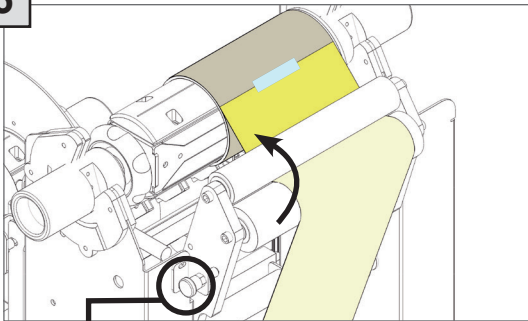
5



Insert the media between the two rollers near the waste core holder.

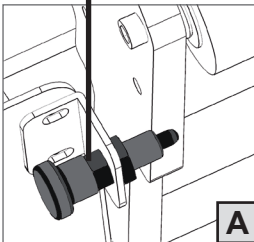
At this point peel back the matrix.

6

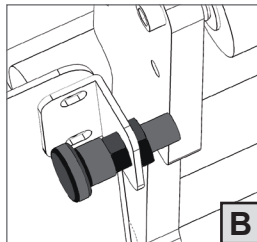


Pull the matrix and attach it to the matrix remover core holder.

Then use the knob to release the peeling rollers module.



**WRONG**



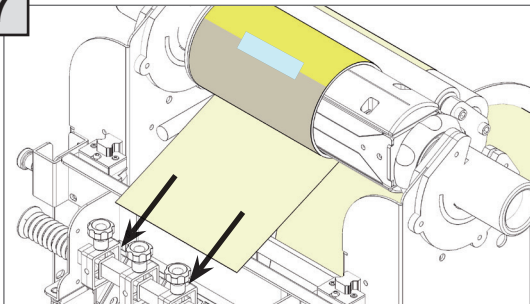
**CORRECT**

**WARNING**

Be careful to close the piston that holds the peeling rollers tightly.

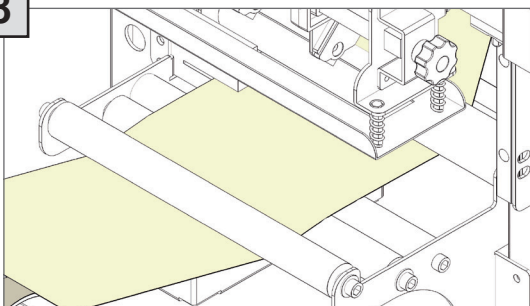
The correct position is shown in the figure B.

7



Pull the media and manually turning the waste core holder so that the matrix is wrapped around the waste core at least once.

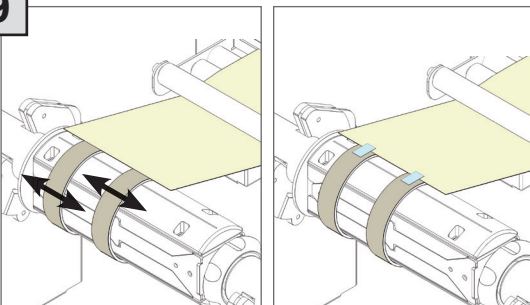
8



Pull the media through the aluminium rollers.

**!PLEASE PAY ATTENTION TO THE PAPER PATH!**

9



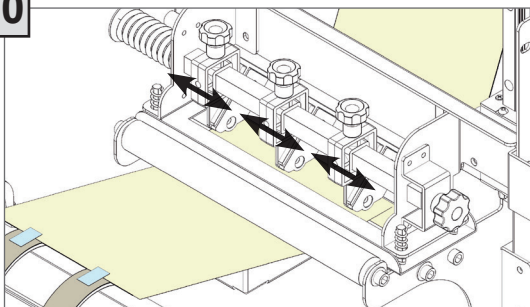
Position each cardboard core directly under the new label.

Tighten the core by turning the knob.

Temporarily attach the label directly to the take-up core holder.

This will provide the necessary tension in order to start the slitting process.

10



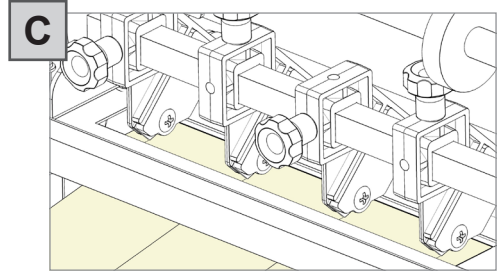
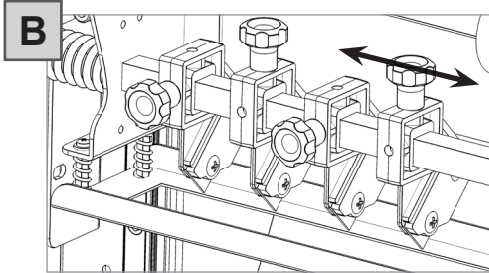
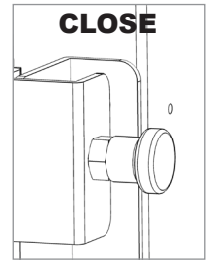
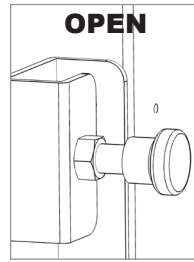
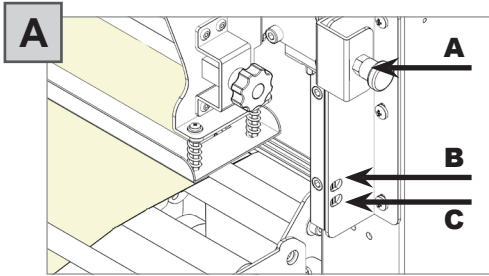
Align the blades in the space between each label column. (Label edges can also be slit using the same step).

**WARNING!**

**The slitter blades are very sharp when exposed.**

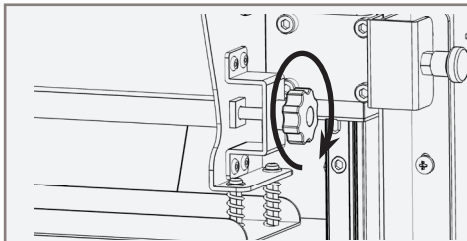
**Use extreme caution when working in that area.**

# SLITTER MODULE



## ***Slitter module has 3 positions:***

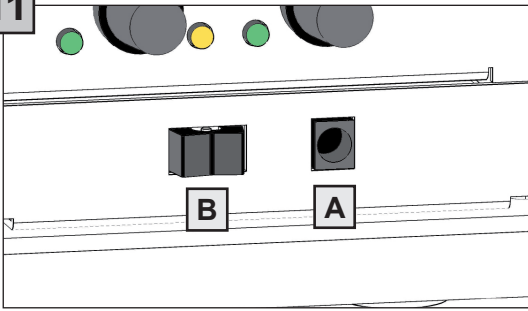
- Upper position (A), the blades are lifted to allow the media loading;
- Middle position (B), align the blades with the edges and the center of the labels, tighten the thumb screw once the blade is in position;
- Lower position (C), the blade will penetrate and slit the media.



The black knobs lock the slitter module in the requested position.

Screw the thumb knobs to move the blades to the right or left.

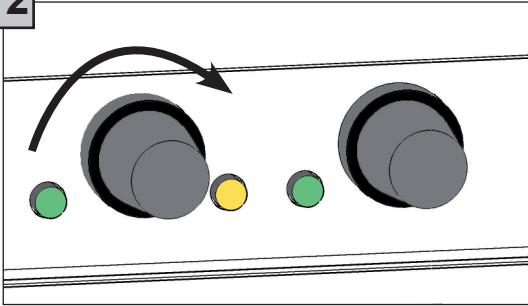
11



Plug the machine (A) and switch it ON using the power switch (B).

Make sure the speed knob is in the slowest position before you switch on the MATRIX REMOVER.

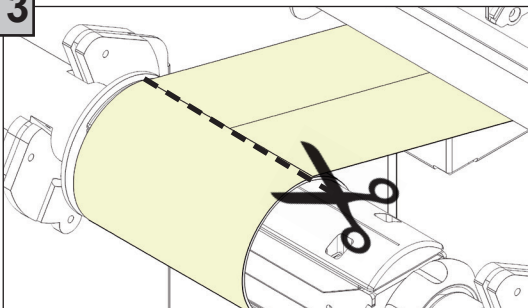
12



Slowly turn the speed knob.

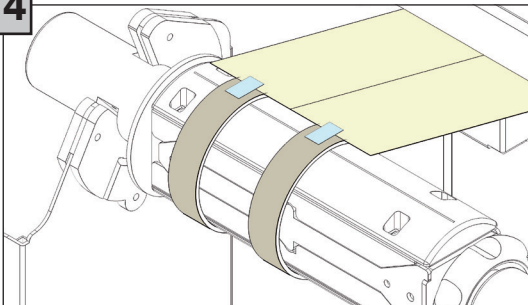
Turn ON the Matrix Remover module to rewind and slit the media, then turn it OFF.

13



Cut the labels when you are satisfied with the results then turn off the unit.

14



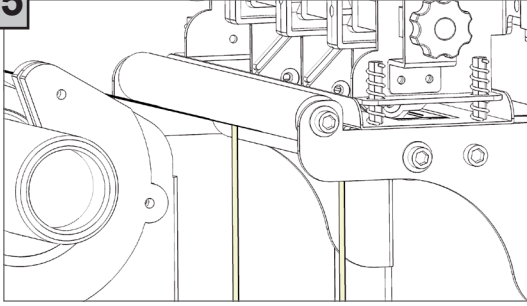
Make sure the tension on all rolls is even and attach each label to the core using a waste label.



**Note:**

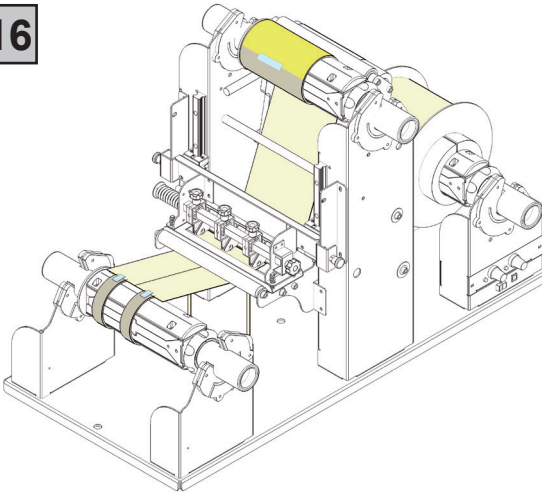
*Make sure the media tension on all rolls is even.  
If this does not happen, the entire waste process could be compromised!*

**15**



Allow the trimmed waste edges to fall in down.

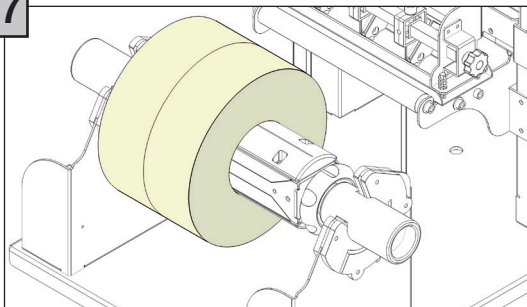
**16**



Turn on the unit and slowly increase the speed while observing the following areas for errors:

- 1. Matrix Release**
- 2. Peeling rollers module**
- 3. Slitting**
- 4. Finishing Core holder**

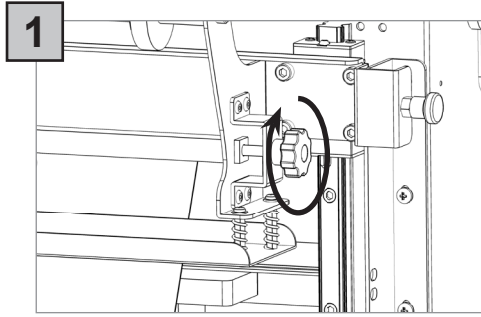
**17**



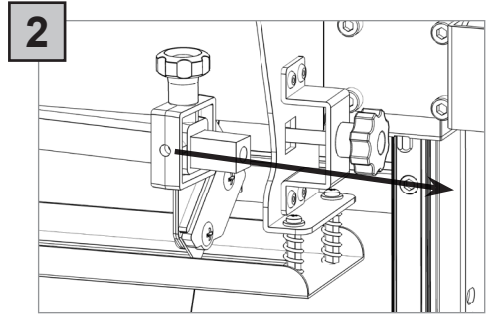
When the roll is finished, the unit automatically stops.

## HOW TO ADD OR REMOVE BLADE HOLDERS

---



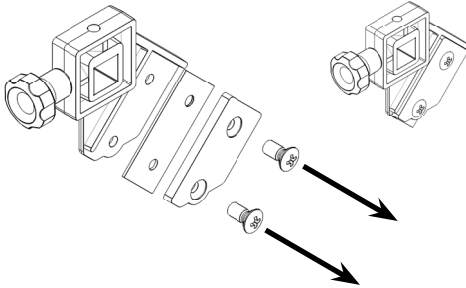
1  
Remove the iron bar by unscrewing the black thumb screw.



2  
Insert or remove the blade holder(s) depending on the job.  
Reinstall the slide iron bar and re-screw the thumb screw.

## HOW TO REPLACE THE SLITTER BLADE

---



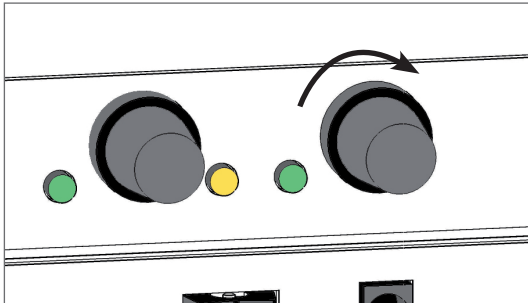
Loosen the two screws holding the blade in place.

Replace the blade.

Reassembly the blade holder by installing the screws.

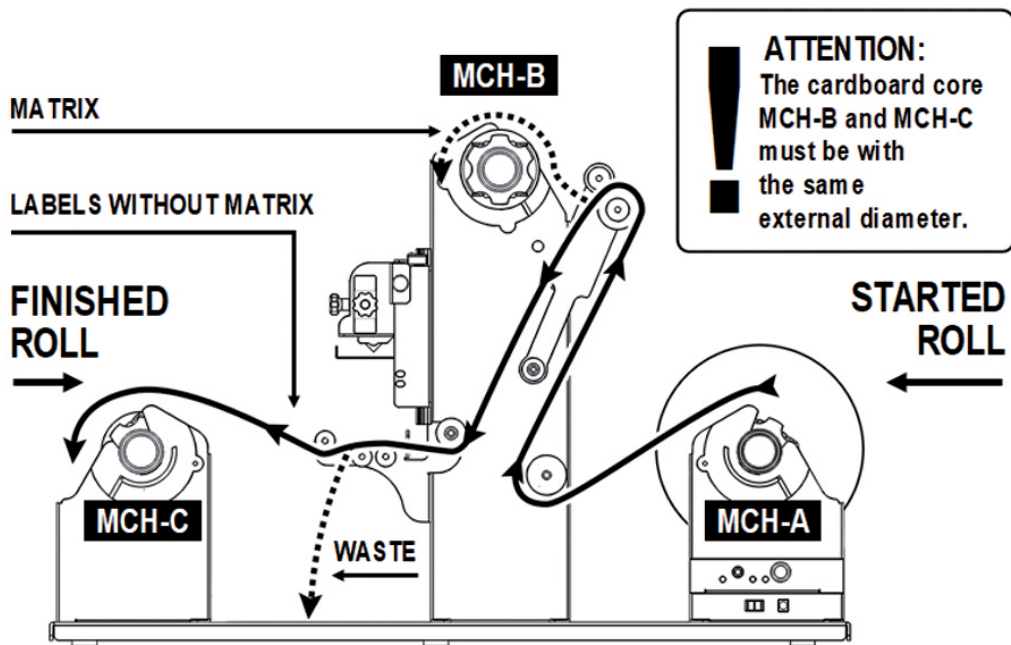
## HOW TO ADJUST THE CLUTCH ON THE UNWINDER

---



With the clutch feature it is possible to control the the tension on the media during the process and adjust the tightness on the new rewinded rolls.

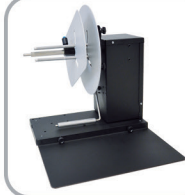
# PAPER PATH



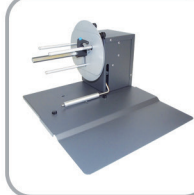
# SMART SOLUTIONS FOR THE LABELING INDUSTRY

Label rewinder, label unwinder, electronic label dispenser and more...

OTHER  
PRODUCTS



LABEL UNWINDER/REWINDER



SMALL LABEL  
UNWINDER/REWINDER



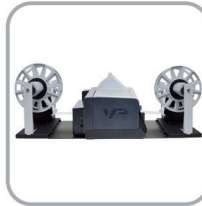
LABEL COUNTER



ROLL TO ROLL SYSTEM  
FOR LABEL PRINTERS



ROLL TO ROLL SYSTEM  
FOR EPSON PRINTERS



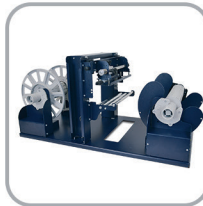
ROLL TO ROLL SYSTEM  
FOR VIPCOLOR VP SERIES



ROLL TO ROLL SYSTEM  
FOR PRIMERA LX SERIES



MATRIX REMOVER AND SLITTER



LONGITUDINAL LABEL SLITTER



EASY LABEL DISPENSER



ELECTRONIC  
LABEL DISPENSER



SCORPIO SERIES:  
DIGITAL LABEL FINISHING SYSTEMS



GEMINI:  
DIGITAL DIE CUTTER FOR SHEETS



VIRGO:  
DESKTOP DIGITAL FINISHING SYSTEM



MOTORIZED CORE HOLDER  
UNWINDER/REWINDER

- FOR MORE INFO CONTACT YOUR RESELLER -