

USER MANUAL

Motorized Core Holder Label Rewinder



*Please keep the original packaging in case you need to return the unit.
If we receive the system in non-original packaging, the warranty may be void.*

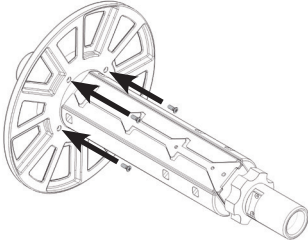
APPLICATION

The Label Rewinder is used to rewind labels from a 76mm (3") core holder. The rewinder can handle labels up to 240mm (9.45") wide and rewind rolls with external diameter up to 250mm (10").

POWER SUPPLY

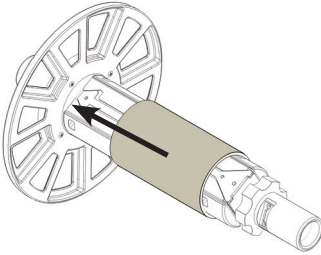
An external power supply 100/240VAC - 2.5A at 24V $\overline{\text{---}}$ allows an electronic circuit to provide, through the tension arm, the speed and sense of rotation auto adjustment.

INSTALLATION



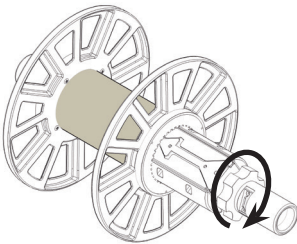
STEP 1

Using a screwdriver, install the outer disc on the core holder.



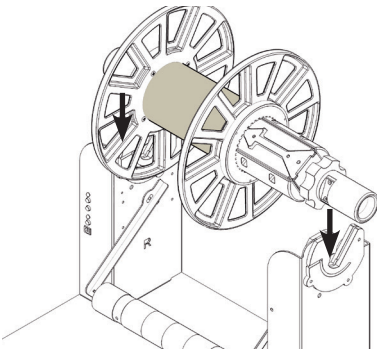
STEP 2

Load the empty cardboard core onto the core holder.



STEP 3

Slide in the outer disk onto the core holder and keep it close to the media edge. Tighten the knob.

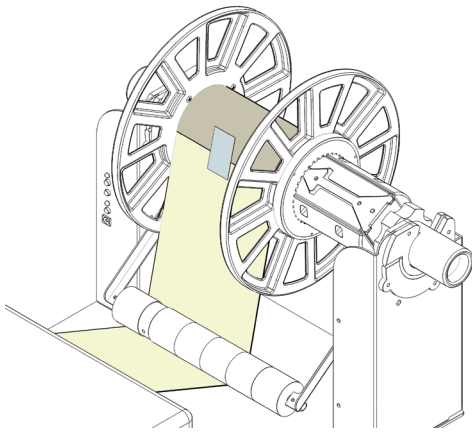


STEP 4

Set the core holder onto the core holder supports. The color of handle must match with the color of holder.

IMPORTANT:

Screws must be face down.



STEP 5

Keeping the printed media underneath the tension arm, stick the end on the cardboard core.

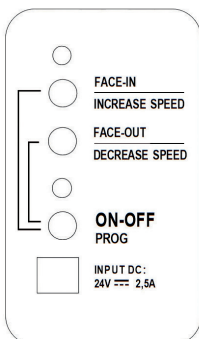
Once the media is loaded on the rewinder, slide left and right the rewinder to find the correct alignment between the two units.

WORKING CONDITIONS

- When the printer forwards the media for printing, the tension arm goes down, the device rewinds the media. Yellow or green led on depending on the selected rewinding mode (face-in or face-out).
- When the tension arm is in the middle position, the device is idle. Both yellow and green leds on.
- When the printer backwards the media, the tension arm goes up, the device unwinds it. Yellow or green led on depending on the selected rewinding mode (face-in or face-out).

When the unit is operating but the media is not loaded or it runs out, the tension arm reaches the lowest position and after few seconds the unit will stop by itself, both leds blink and it beeps.

CONTROL PANEL



ON-OFF

Push this button to turn On or Off the unit.

INCREASE SPEED

Push this button to increase the rotation speed.

DECREASE SPEED

Push this button to decrease the rotation speed.

LABEL FACE-OUT

Turn the unit off. Keep pushed “FACE OUT” button, push and release “ON-OFF” button while the green led turns on and off. The unit is now ready to operate.

LABEL FACE-IN

Turn the unit off. Keep pushed “FACE IN” button, push and release “ON-OFF” button while the yellow led turns on and off. The unit is now ready to operate.



WARNINGS

- The main plug of power supply cord set of AC/DC power supply is considered as disconnecting device of equipment.
- Do not operate the MCH while wearing loose fitting clothing or neck ties. Serious injury may result. If clothing or fingers are caught in the rollers, immediately disconnect the D.C. connector.
- Keep your hands away from the MCH at all times while the unit is running.
- To prevent fire or shock hazard, do not expose the unit to rain or moisture. Operate the unit with only proper electrical specifications as labeled on the unit and the AC adapter.

WARNING
HAZARDOUS MOVING PARTS
KEEP FINGERS AND OTHER BODY PARTS AWAY

FCC Compliance Statement: This device complies with part 15 of the FCC rules. Operation is subject to the following two conditions: (1) this device may not cause harmful interference, and (2) this device must accept any interference received, including interference that may cause undesired operation.

For Users in the United States: This product is intended to be supplied by AC/DC Power Supply delivered with the machine as for the UL regulation tested and certificated together. This equipment has been tested and found to comply with the limits for a Class A digital device, pursuant to Part 15 of the FCC Rules. In a domestic environment this product may cause radio Interference In which case the user may be required to take adequate measures. This equipment generates, uses, and can radiate radio frequency energy and, if not installed and used in accordance with the instructions, may cause harmful interference to radio communications. However, there is no guarantee that interference will not occur in a particular installation, If this equipment does cause harmful interference to radio or television reception, which can be determined by turning the equipment off and on, the user is encouraged to try to correct the interference by one or more of the following measures:

- *Re-orient or relocate the receiving antenna.*
- *Increase the separation between the equipment and receiver.*
- *Connect the equipment into an outlet on a circuit different from that to which the receiver is connected.*
- *Consult the dealer or an experienced radio/TV technician for help.*

Use of shielded cables is required to comply with the Class A limits of Part 15 of the FCC Rules. You are cautioned that any changes or modifications not expressly approved in this manual could void your authority to operate and/or obtain warranty service for this equipment.